

DATA SHEET

14-HHBAANS-I1

Frequency: Adjusted from 148 - 174MHz

Connectors: N-K

Power Rating: 200W

VHF CAVITY FILTER

IM3: TBD

Usage: TBD

BRIDGE
Components

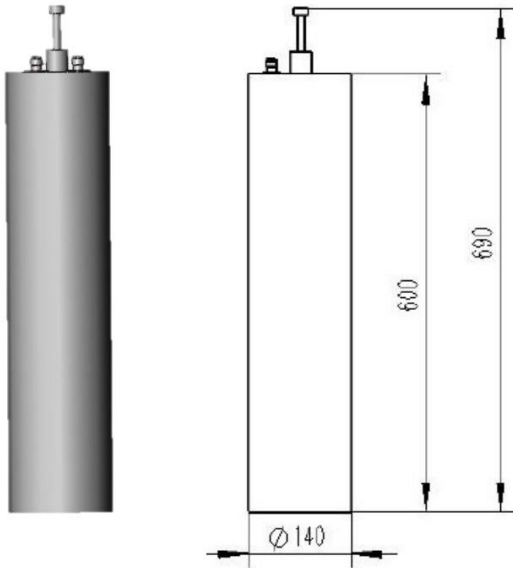
OVERVIEW

BRIDGE FILTERS pass frequencies within a certain range and rejects (attenuates) frequencies outside that range.

KEY FEATURES

- Available with N, Din and 4.3-10 type connectors
- Compact, light weight and easy to install
- Wall or pole mounting
- Built-in lightning protection

Product Pictures



TECHNICAL DATA

Electrical Specifications

Frequency Range (MHz)	148-174
Insertion loss	≤0.5 dB
Out of band rejection	TBD
VSWR/ Return loss	≤1.5/-14dB
PIM : IM3	TBD
DC/AISG by Pass	TBD
Power Rating	200W
Impedance	50 Ω

Mechanical Specifications

Connectors	BTS	N-K
	ANT	N-K
Dimensions	140 * 600 (without tuning screws)	
Weight	3kg	
Color	Gray	

Environmental Specifications

Temperature	-55 ° C ~ + 85 ° C
Humidity	≤95%
IP Rating	TBD

Installation Specifications

Installation Method	N/A
---------------------	-----

Disclaimer All images are for reference purposes only

Revised: | R.1.1

Important Notice: Information contained in this data sheet is believed to be reliable at the date of issue, accuracy and completeness is not guaranteed. Bridge Components holds the right to change the product specifications without notice.