

DATA SHEET

14-UUGEE3X-01

FILTER

Frequency: 2.076-2.276/9.56-11.17/703-803 & 885-960MHz

Connectors:4.3-10 Female/4.3-10 Female

Power Rating:100W

IM3: < -150 dBc

Usage:IP65, Indoor & Outdoor



OVERVIEW

BRIDGE FILTERS pass frequencies within a certain range and rejects (attenuates) frequencies outside that range.

KEY FEATURES

- Available with N, Din and 4.3-10 type connectors
- Compact, light weight and easy to install
- Wall or pole mounting
- Built-in lightning protection

ORDERING INFORMATION

Part Numbers		
Unit Type	Single Unit	Double Unit
	14-UUGEE3S-01	14-UUGEE3T-01

TECHNICAL DATA

Electrical Specifications	
Frequency Range (MHz)	2.076-2.276 (OOK) 9.59-11.17 (FSK) 703-803 & 885-960
Insertion loss	≤ 1.0 dB (OOK & FSK) ≤ 0.4 dB (758-803 & 930-960 MHz) ≤ 0.6 dB (703-748 & 885-915 MHz)
Out of band rejection	≥ 50 dB (865-880 MHz) ≥ 60 dB (823-865 MHz)
VSWR/ Return loss	≤1.15 (703-960 MHz) ≤1.2 (OOK & FSK)
PIM : IM3	≤-150 dBc
DC/AISG by Pass	Pass
Power Rating	100 W
Impedance	50 Ω

Mechanical Specifications		
Dimensions	310 x 213 x 74mm (Single Unit)	310 x 213 x 154mm (Twin Unit)
Weight	5.1Kg (Single Unit)	10.2Kg (Twin Unit)
Color	Gray	

Disclaimer All images are for reference purposes only

Revised: | A.1.1

Important Notice: Information contained in this data sheet is believed to be reliable at the date of issue, accuracy and completeness is not guaranteed. Bridge Components holds the right to change the product specifications without notice.

DATA SHEET

14-UUGEE3X-01

FILTER

Frequency: 2.076-2.276/9.56-11.17/703-803 & 885-960MHz

Connectors: 4.3-10 Female/4.3-10 Female

Power Rating: 100W

IM3: < -150 dBc

Usage: IP65, Indoor & Outdoor



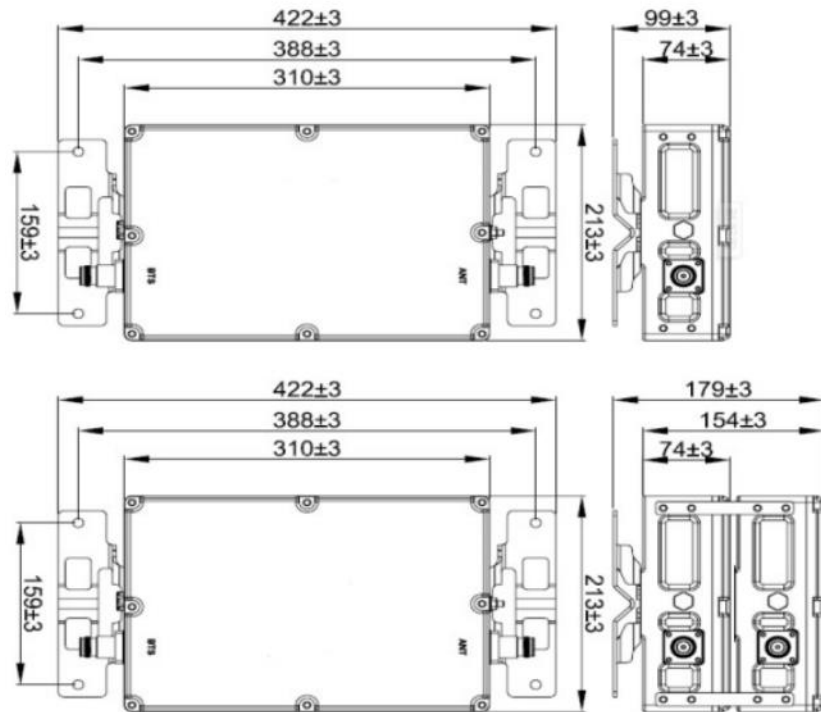
Environmental Specifications

Temperature	-20 ~ 60°C
Humidity	≤95%
IP Rating	IP65, Indoor & Outdoor
Lightning Protection	8kA, 8/20 μs pulse

Installation Specifications

Installation Method	Wall/ pole mounting
Pole diameter	Φ35- 125mm

Product Pictures



Disclaimer All images are for reference purposes only

Revised: | A.1.1

Important Notice: Information contained in this data sheet is believed to be reliable at the date of issue, accuracy and completeness is not guaranteed. Bridge Components holds the right to change the product specifications without notice.