

18-HFBXXN-02

Frequency: DC-4000 MHz

Usage: IP65 Indoor & Outdoor

RF LOAD

Power Rating: 2/5/10W

Connector: N, DIN, 4.3-10 F/M



OVERVIEW

BRIDGE RF Load or Terminals are matched to 50 ohms characteristic impedance. It is designed to absorb all the incident power with very little reflection, effectively terminating the line or port in its impedance. Widely used to connect with unused RF port of any RF products.

KEY FEATURES

- Available with N, Din and 4.3-10 type connectors
- High IP Class, up to IP65

ORDERING INFORMATION

Part Numbers				
Input Power		2W	5W	10W
Connector Type	N Female	18-HFBABN-02	18-HFBACN-02	18-HFBADN-02
	N Male	18-HFBBBN-02	18-HFBBCN-02	18-HFBBDN-02
	7/16 DIN Female	18-HFBBCN-02	18-HFBCCN-02	18-HFBCCN-02
	7/16 DIN Male	18-HFBDBN-02	18-HFBDCN-02	18-HFBDDN-02
	4.3-10 Female	18-HFBEBN-02	18-HFBECN-02	18-HFBEDN-02
	4.3-10 Male	18-HFBFBN-02	18-HFBFCN-02	18-HFBFDN-02

TECHNICAL DATA

Electrical Specifications	
Frequency Range (MHz)	DC-4000MHz
VSWR/ Return loss	≤1.2/-21dB
Power Rating	2/5/10W
Impedance	50 Ω

Mechanical Specifications				
Dimensions	N Female/Male	Φ22x54mm	Φ22x54mm	Φ60x46.5mm
	7/16 DIN Female/Male	Φ22x51mm	Φ22x51mm	Φ60x46.5mm
	4.3-10 Female/Male	Φ22x57mm	Φ22x57mm	Φ60x46.5mm
Weight Including connectors	N Female/Male	0.2 kg	0.2 kg	0.3 kg
	7/16 DIN Female/Male	0.25 kg	0.25 kg	0.35 kg
	4.3-10 Female/Male	0.2 kg	0.2 kg	0.3 kg
Color	Black			

DATA SHEET

18-HFBXXN-02

Frequency: DC-4000 MHz

Usage: IP65 Indoor & Outdoor

RF LOAD

Power Rating: 2/5/10W

Connector: N, DIN, 4.3-10 F/M



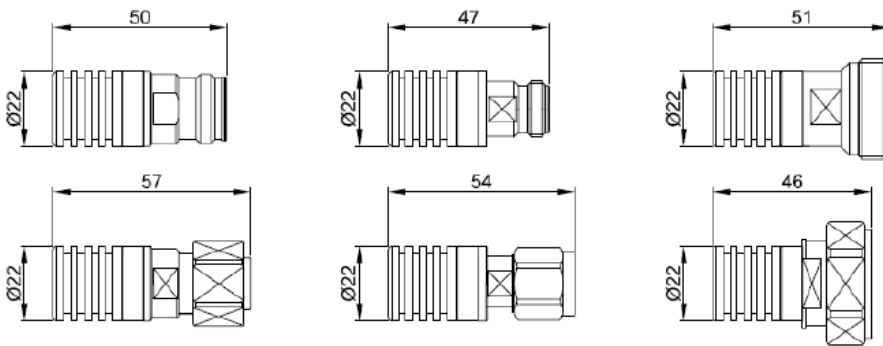
Environmental Specifications

Temperature	-40 ~+65°C
Humidity	≤95%
IP Rating	IP65, Indoor & Outdoor

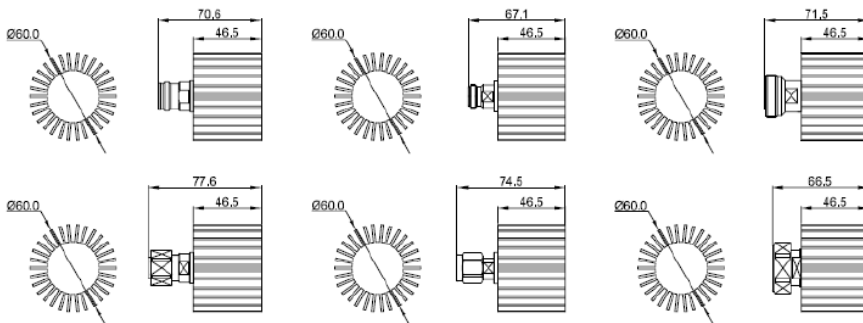
Installation Specifications

Installation Method	Wall Mounting
---------------------	---------------

Product Pictures



2-5W



10-25W

Disclaimer All images are for reference purposes only

Revised: | B.2.2

Important Notice: Information contained in this data sheet is believed to be reliable at the date of issue, accuracy and completeness is not guaranteed. Bridge Components holds the right to change the product specifications without notice.