

# 14-HHDAANT-11 | TWO CAVITY TUNABLE FILTER

Frequency: 118-137MHz | Connector: N Female | Power: 50W | Usage: Indoor | Type: Tunable



## OVERVIEW

BRIDGE CAVITY TUNABLE FILTER is band pass design. The frequency in a certain range and rejects (attenuates) the frequency outside the range. It is suitable for the VHF/UHF frequency band and fine-tuned according to the site requirement (adjustment range: 2MHz) Sharp rejection out of the working frequency/carriers which can max solve the site problem.

Tunable carrier is easy for engineer to adjust the carries required in site. High power handling supports most of stations.

In the section of materials selection, Bridge products are all made of good and rugged materials, which make sure long product working life and stable working performance.

## FEATURES

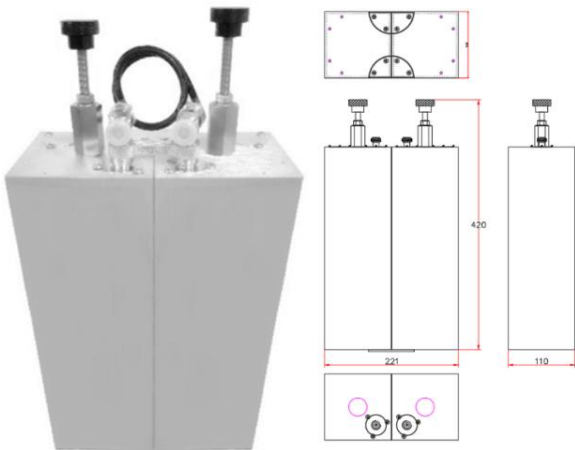
- Customized guard band and rejection.
- Manually tunable control.
- Built-in lightning protection.
- Customized working frequency range.
- Sharp rejection to fast solve the interface problem.
- Easy installation

## TECHNICAL DATA

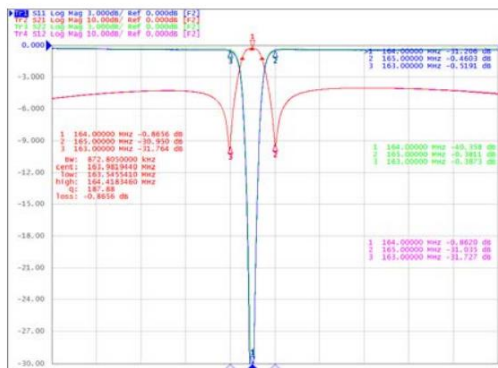
Electrical Specifications	
Frequency Range	118-137MHz
Tuning Range	2MHz
Working Frequency	Carries
Insertion loss	≤1.0dB
Rejection	≥25dB @F-0+1MHz
Return loss	≤-14dB
Power Rating	50W
Impedance	50Ω

Mechanical Specifications	
Connectors	N Female
Dimensions	302 x 302 x 420mm
Color	Oxidized color
Temperature	-30°C~+65°C
Humidity	≤95%
Installation Method	Wall Mounting

### Product



### Rejection Chart



Unit measurements in mm

Disclaimer: All images are for reference purposes only

Revised | R.1.1

Important Notice: Information contained in this data sheet is believed to be reliable at the date of issue, however accuracy and completeness is not guaranteed.

Bridge Components holds the right to change the product specifications without notice.