



OVERVIEW

BRIDGE RF Filter utilize the coaxial cavity technology or ceramics to process the pass band and rejection band signal. Internal single filtering cavity, dual filtering cavity and multi filtering paths are all as options in sites, which max provide flexible solutions in sites. It is compatible with various of 2G/3G/4G/5G, UHF, Tetra, lot and Military spectrum allocation in different frequency system or re-farming system.

BRIDGE RF Filter is using wide band technology to coverage the wide band range signals from 962-1213MHz. Optional low PIM and fully plating technology, which is good to provide high data transmission coverage needs.

In the section of materials selection, Bridge products are all made of good and ruggedness materials, which make sure long product working life and stable working performance.

FEATURES

- Pass band: 962-1213MHz.
- Customized guard band and rejection.
- High rejection value.
- Built-in lightning protection.
- Wall or pole mounting.
- 4.3-10/Din connector type is optional.
- Single and twins type is optional.

TECHNICAL DATA

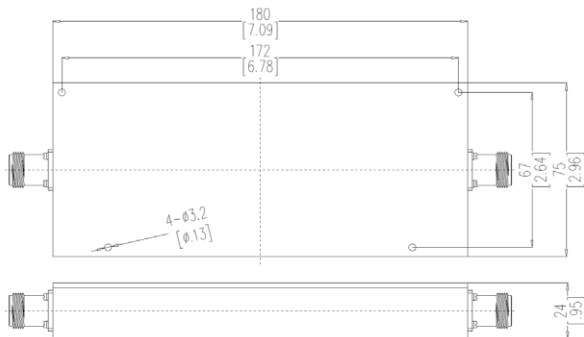
Electrical Specifications		
Frequency Range	962-1213MHz	
Insertion loss	≤0.9dB	
Rejection	DC-750MHz	≥60dB
	1265-4000MHz	≥60dB
VSWR	≤ 1.3	
Power Rating	220W	
Impedance	50Ω	

Mechanical Specifications	
Connectors	N Female
Dimensions	180 x 75 x 24 mm
Weight	0.675 kg
Material	Aluminum
Color	Black

Environmental Specifications	
Temperature	-20°C~+50°C
Humidity	≤95%
IP Rating	IP40, Indoor

Installation Specifications	
Installation Method	Cabinet-in

Product



Unit measurements in mm

Disclaimer: All images are for reference purposes only

Revised | R.1.1

Important Notice: Information contained in this data sheet is believed to be reliable at the date of issue, however accuracy and completeness is not guaranteed.

Bridge Components holds the right to change the product specifications without notice.