

DATA SHEET

14-UUGEE3X-01 | FILTER

Frequency: 2.076-2.276/9.56-11.17/703-803&885-960MHz | **Connector:** 4.3-10 Female | **PIM:** -150dBc

Power : 100W | **AISG by Pass:** Pass | **Usage:** Indoor & Outdoor



OVERVIEW

BRIDGE RF Filter utilize the coaxial cavity technology to process the pass band and rejection band signal. Internal signal filtering cavity, dual filtering cavity and multi filtering paths are all as options in sites, which max provide flexible solutions in sites.

BRIDGE RF Filter is using wide band technology to coverage the wide band range signals from 703-960Mhz. Reach -160dBc PIM value by Low PIM and fully plating technology, which is good to provide high data transmission coverage needs. Widely used LTE network.

In the section of materials selection, Bridge products are all taking good and rugged materials as option, which will make sure long product working life and stable working performance.

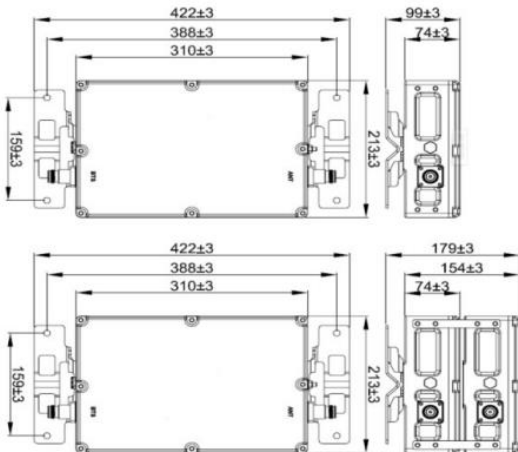
FEATURES

- Pass band: 703-803/885-960MHz.
- Customized guard band and rejection.
- Available for 2.076-2.276MHz OOK, 9.59-11.17MHz FSK, and will not impact the control signal.
- Built-in lightning protection.
- Wall or pole mounting.
- N/4.3-10/Din connector type is optional.
- Single and twins type is optional.
- Up to IP65 full outdoor water-proof.

TECHNICAL DATA

Part Number		
Single Unit		14-UUGEE3S-01
Double UNIT		14-UUGEE3T-01
Electrical Specifications		
Frequency Range	Band 1	2.076-2.276MHz
	Band 2	9.56-11.17MHz
	Band 3	703-803&885-960MHz
Insertion Loss	Band 1	≤1.0dB
	Band 2	≤0.4dB
	Band 3	≤0.6dB
VSWR	Band 1	≤1.2 @OOK & FSK
	Band 2	≤1.15 @703-960MHz
Out of Band Rejection		≥ 50dB @865-880MHz ≥ 60dB @823-865MHz
PIM : IM3		≤-150dBc
DC/AISG by pass		Pass
Power Rating		100W
Impedance		50Ω
Mechanical Specifications		
Connectors		4.3-10 Female
Dimensions	Singe Unit	310 x 213 x 74 mm
	Double Unit	310 x 213 x 154 mm
Weight	Singe Unit	5.1 kg
	Double Unit	10.2 kg
Color		Gray
Environmental Specifications		
Temperature		-20°C~+65°C
Humidity		≤95%
Lighting Protection		8kA;8/20 μs pulse
IP Rating		IP65, Indoor & Outdoor
Installation Specifications		
Installation Method		Wall / Pole Mounting
Pole Diameter		Φ35- Φ125 mm

Product



Unit measurements inmm

Disclaimer: All images are for reference purposes only

Revised | R.1.1

Important Notice: Information contained in this data sheet is believed to be reliable at the date of issue, however accuracy and completeness not guaranteed.

Bridge Components holds the right to change the product specifications without notice.